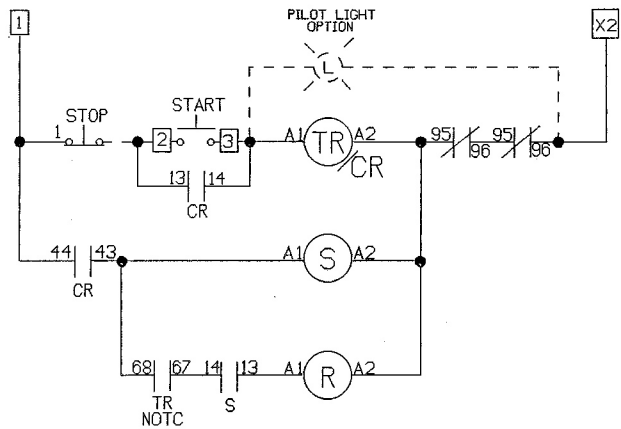
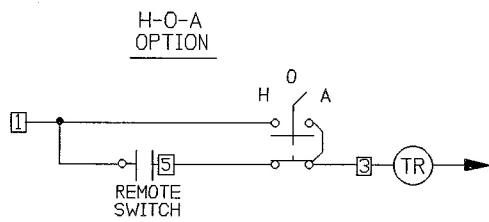


SCHMATIC DIAGRAM



REVISIONS			E.E.C. CONTROLS		
NO.	DATE	BY	Electrical & Electronic Controls Inc. 5 West Cross Street Hawthorne, N.Y. 10532 (914)769-5000 FAX(914)769-3611		
1			PART WINDING TYPE WLS (STANDARD)		
2			DRAWN BY TED	SCALE	MATERIAL
3			CHK'D	DATE 6/30/92	DRAWING NO.
4			TRACED	APPD	WD-WLS-1
5					