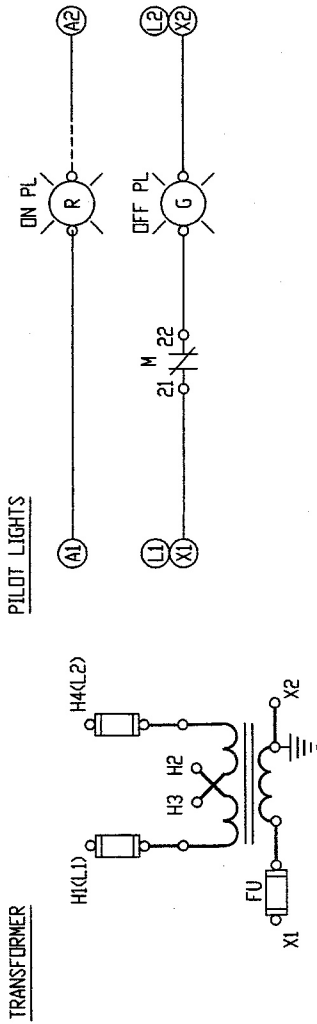
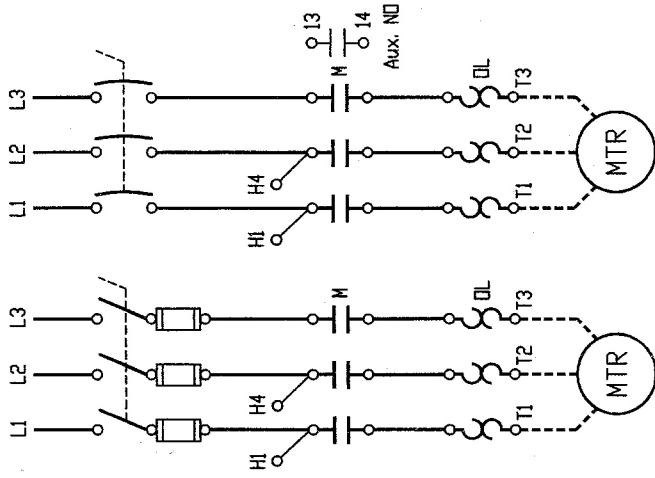
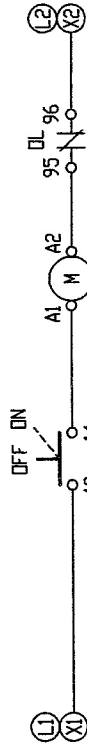
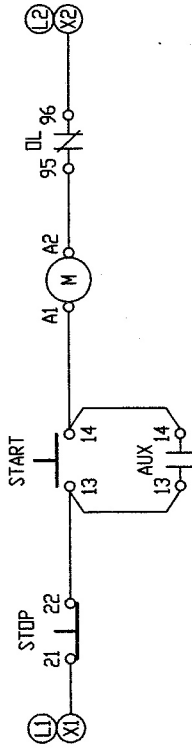
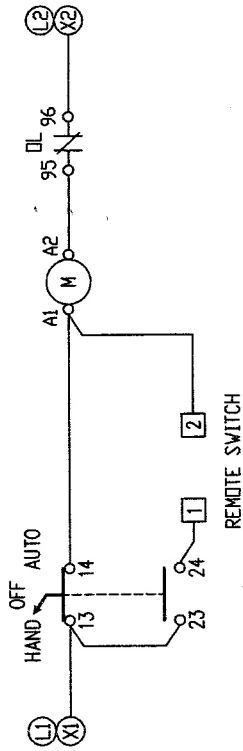


# OPTIONS



# CONTROL CIRCUIT



# WARNING

HAZARDOUS VOLTAGE WILL CAUSE DEATH OR SERIOUS INJURY. TO AVOID ELECTRICAL SHOCK OR BURN TURN OFF MAIN AND CONTROL VOLTAGES BEFORE PERFORMING INSTALLATION OR MAINTENANCE



Electrical and Electronic Controls, Inc.  
3981 Donkey Rd  
Brewster, NY, 10509 USA  
(845)-278-5777 Fax (845)-278-5444  
Email: info@eecontrols.com  
www.eecontrols.com

Description

**Combination Starters  
Fusible/Breaker**

| REV | DESCRIPTION | DATE | APP'D | DRAWN | LR | CHECKED | TG | APPROVED | DATE     |
|-----|-------------|------|-------|-------|----|---------|----|----------|----------|
|     |             |      |       |       |    |         |    |          | 02/07/07 |

Drawing No.

**WD-FBC-1**

REV. **0**