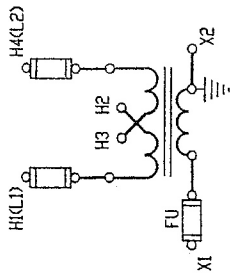
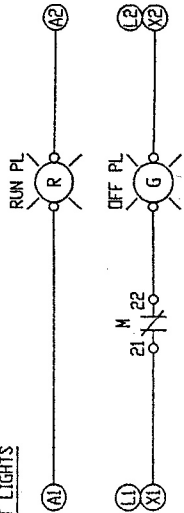


OPTIONS

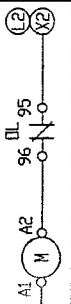
TRANSFORMER



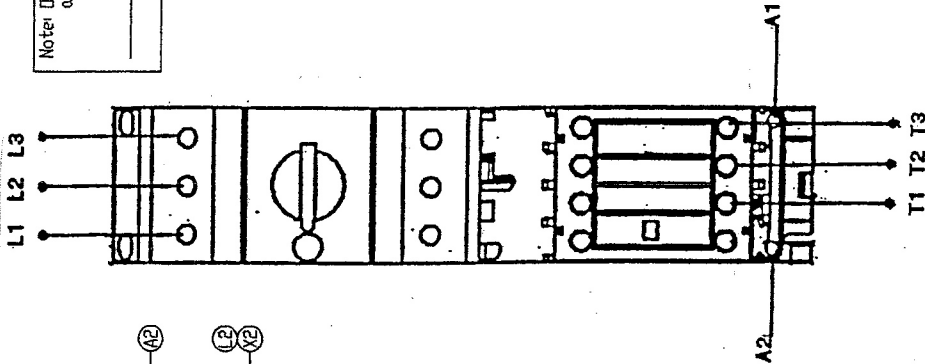
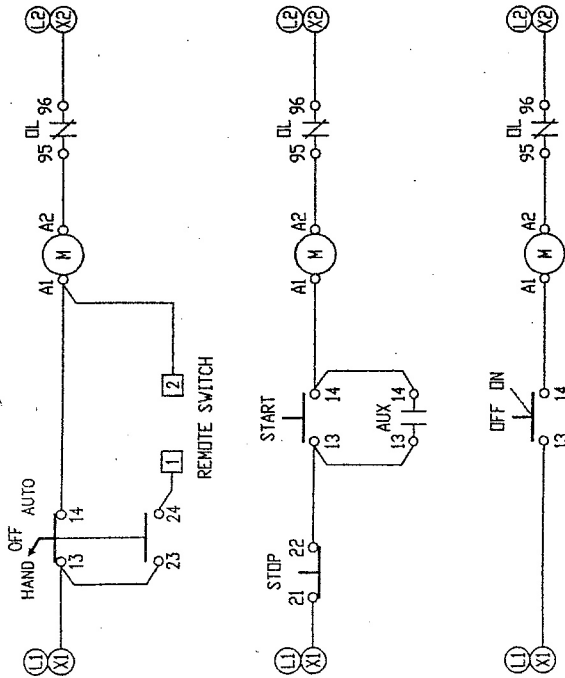
PILOT LIGHTS



Note: In B05 Overload 95 and 96 terminals are reversed on connection



CONTROL CIRCUIT



WARNING

HAZARDOUS VOLTAGE
WILL CAUSE DEATH OR SERIOUS INJURY.
TO AVOID ELECTRICAL SHOCK OR BURN
TURN OFF MAIN AND CONTROL VOLTAGES
BEFORE PERFORMING INSTALLATION OR
MAINTENANCE

REV	DESCRIPTION	DATE	APP'D	DRAWN	LR	DESCRIPTION	REV.
				CHECKED	LR	MBS32 / MBS63 Combinations	WD-MBS323
				APPROVED	TG		
				DATE	01/16/07		0



Electrical and Electronic
Controls, Inc.
3891 Route 64
Brewster, NY 10509 USA
(845)-278-5777 Fax (845)-278-5444
Email: info@eecontrols.com
www.eecontrols.com

Drawing No.

REV.