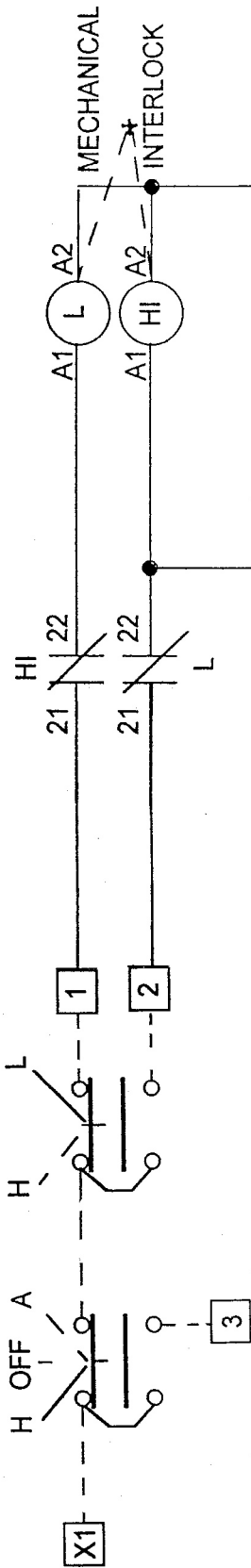
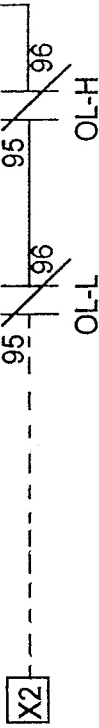
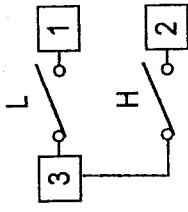


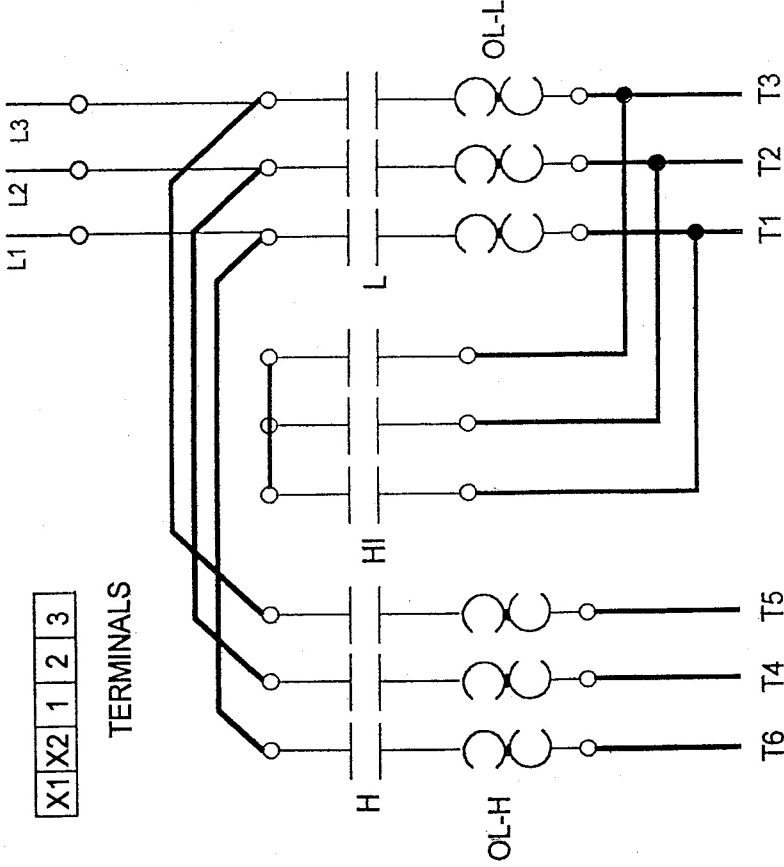
OPTIONAL SELECTORS



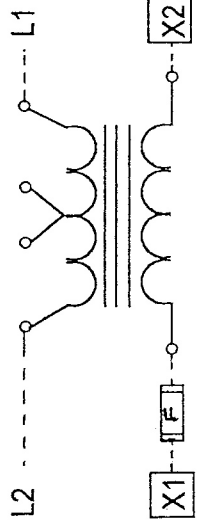
Remote Connections for Auto Position



TERMINALS



OPTION CONTROL TRANSFORMER



Standard Drawing

REVISIONS		E E CONTROLS		TWO SPEED ONE WINDING CONSTANT OR VARIABLE TORQUE	
NO.	DATE	BY	SCALE	DRAWN BY	DATE
1	7-13-01	BG		TRACED	3/1/99
2				BO	
3				APPD	
4					
5					

Drawn by: []
 Checked by: []
 Traced by: []
 Approved by: []
 Date: 3/1/99
 Drawing No. WD-E233-L