
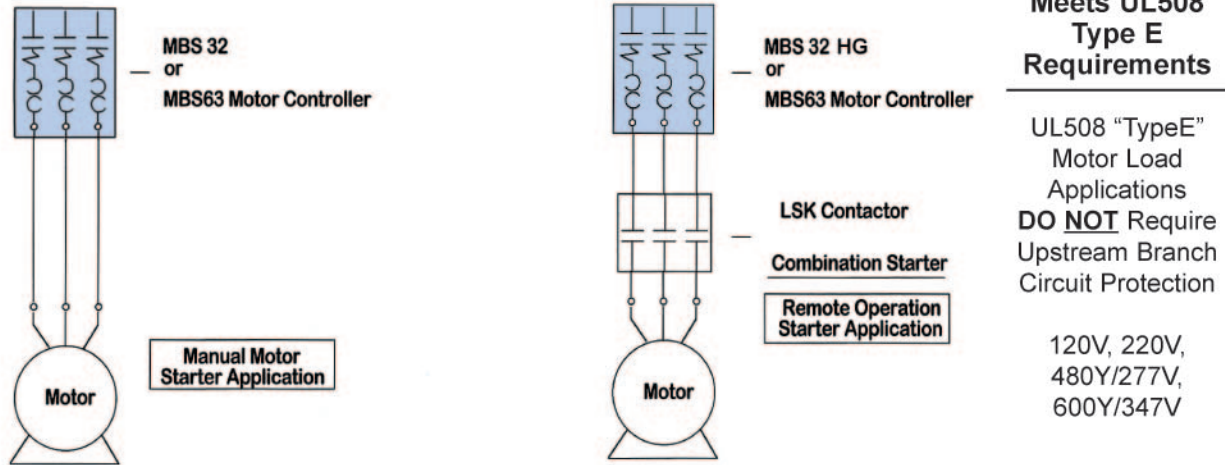


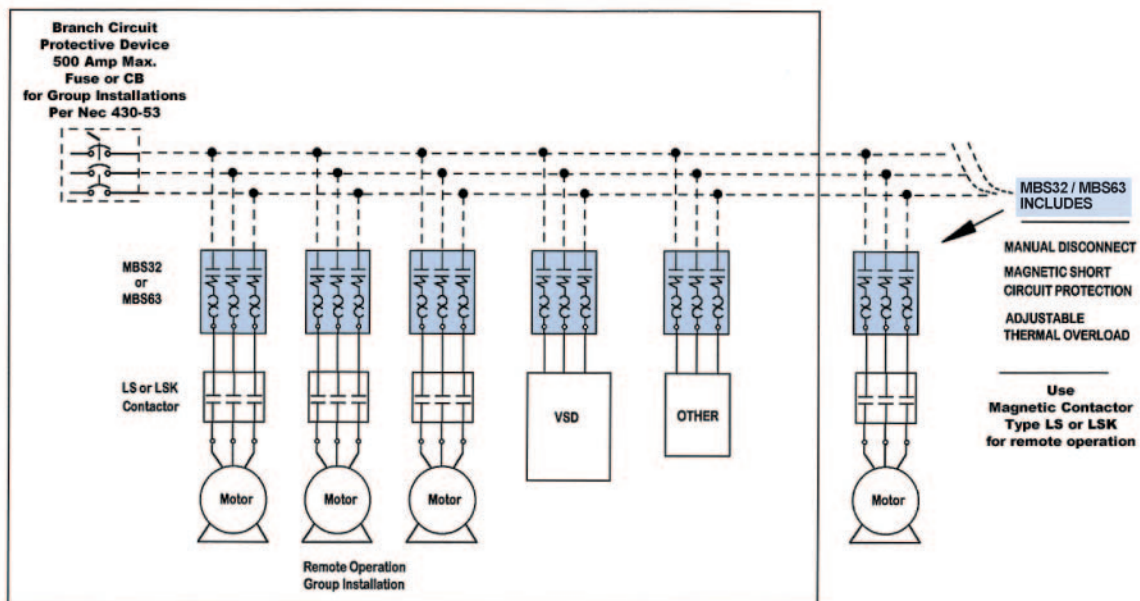
INDIVIDUAL INSTALLATIONS

 The MBS Motor Circuit Protector provides a “Disconnecting Means” with “Short Circuit Protection” and adjustable thermal overload protection. The MBS32 / MBS63 are cost effective, compact and easy to install. Typical “Individual Installations” are shown below.



The MBS32 / MBS63 Motor Protectors are an “excellent” choice for ALL TYPES Protector Applications. They are also UL Listed as for use in Group Motor Installations Typical Group Installations shown below:

GROUP INSTALLATIONS



Save on Panel Space, Component Costs, Wiring and Mounting Time
Applications Include: Pumps, Compressors, Multi Motor Machinery such as
Conveyors, Machine Tools, Textile and Packaging Equipment