

Square Selector Switch Operators Series BS22



Maintained Operator	
Knob Type	Square
Options	Polyamide
	BSK1-* \$16.00 List
	BSK3-* \$16.00 List
	BSK7-* \$25.00 List

	BSK8-* \$33.00 List
--	-------------------------------

Spring Return Operator	
	BSK2-* \$21.00 List
	BSK6-* \$21.00 List
	BSK5-* \$21.00 List

	BSK4-* \$21.00 List
--	-------------------------------

*** Add Color**

-S Black	-Y Yellow
-R Red	-B Blue
-G Green	

Key Operated Selector Switch	
	BSS-OS \$71.00 List
	BSS-4R \$71.00 List
	BSS-2S \$71.00 List

Illuminated Selector Switches (Square Design)

	2 Position BSL-2▲ \$30.00 List
	3 Position BSL-3▲ \$32.00 List
▲ Add Illuminated Knob Color	
-R Red	-W White
-G Green	-B Blue
-Y Yellow	
-C Transparent	

Key Operated Selector Switches (Square Design)

Selector Switch with Key 2 Position Maintained	
	BSS-OK \$55.00 List
	BSS-OA \$55.00 List
	BSS-OE \$55.00 List

Selector Switch with Key 3 Position Maintained	
	BSS-OM \$62.00 List

Selector Switch with Key 4 Position Maintained	
	BSS-1V \$78.00 List

Key Operated Spring Return	
	BSS-OT \$71.00 List

• **Key Removable Position.** All keys code 95. Special keys available at extra cost.

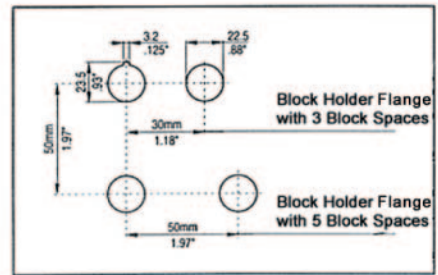
CONTACT SELECTION			
Position	Contact Block	Contact Closed	Contact Block
	SES 10		2 3 1
	SES 10		■ □ ■
	SES 01		■ □ ■
	SES 10		■ □ ■
	SES 10		■ □ ■

SELECTOR SWITCHES KEY SWITCHES
 MANY other versions and contact cam selections are available. Request fax options from EEControls.

Discount Schedule B

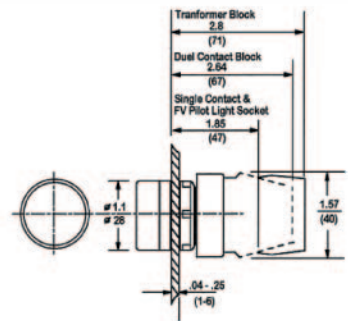
DIMENSIONS-All Round or Square Operators

Spacing Panels 1-6mm thick (0.24") B22

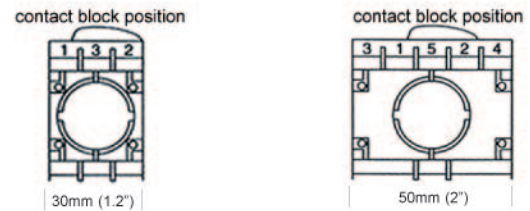


NOTE: This spacing complies with international standard CENELEC EN 50007.

Contact Block Dimensions



Contact Block Holder



Contact Block Holder with 3 spaces. This standard holder is supplied with all operators at no charge. **Six poles max. 4 poles max with Lamp Socket.**

BTF C3 \$3.50 If additional Contact Block spaces are required, the 5 space block is required. **BTF C5 \$5.00** Pushbuttons 10 poles max. Illuminated Pushbuttons 8 poles max.

Mounting Data

