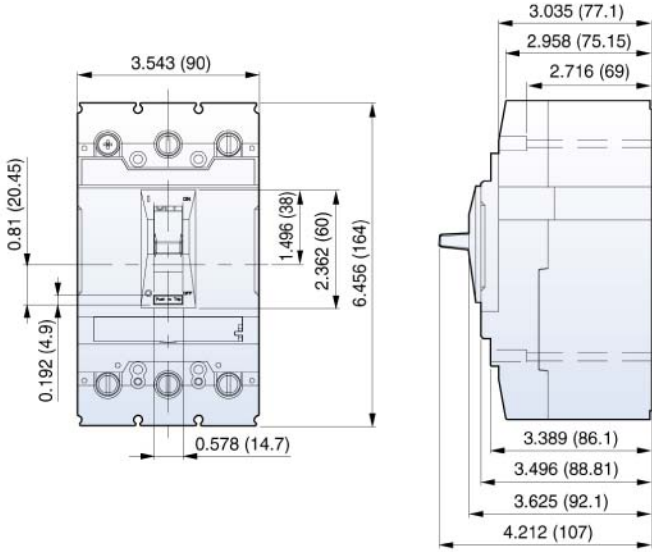
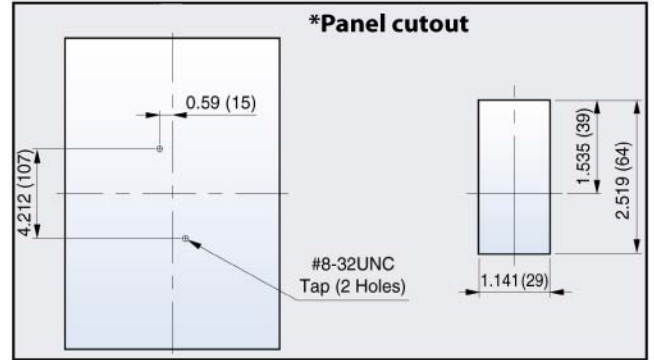


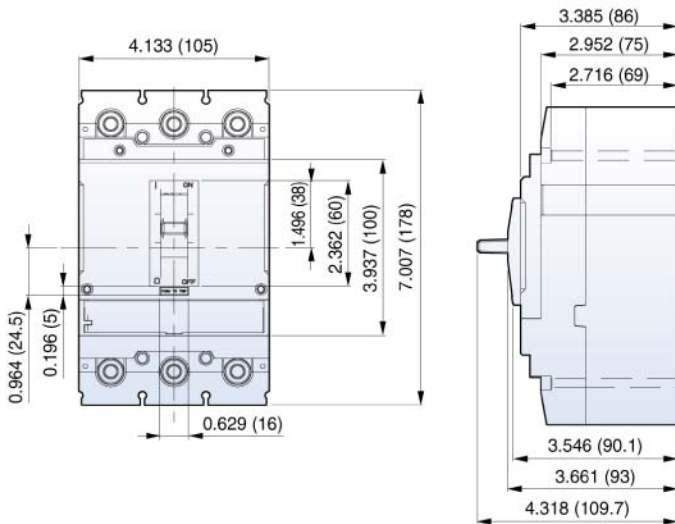
**CBS - 1S, CBS-1H, ADJ (15-125Amps)**



**Mounting Holes**



**CBS - 2S, CBS-2H, ADJ (150-250Amps)**



**Mounting Holes**

