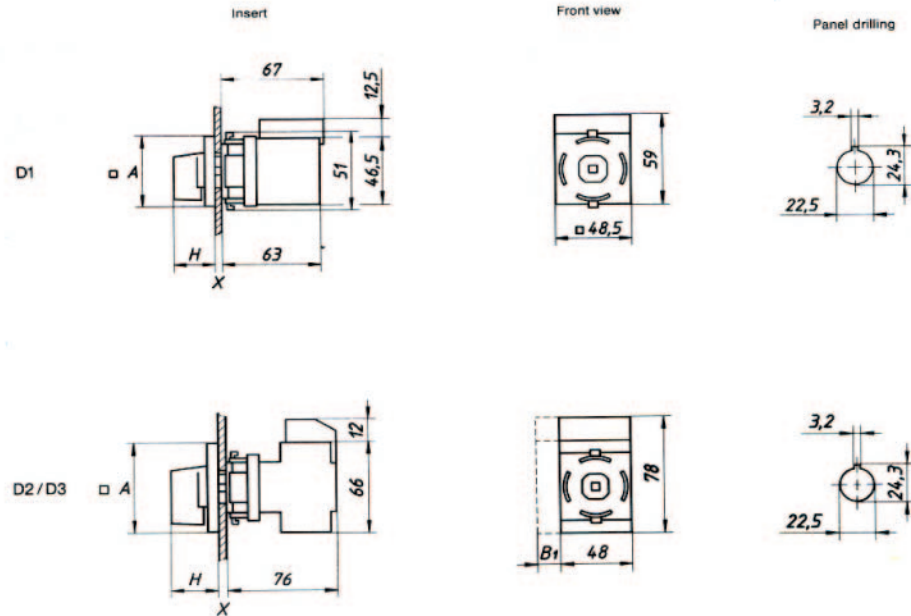


SINGLE HOLE MOUNT (SH) 22 (mm) drilling

For page 198



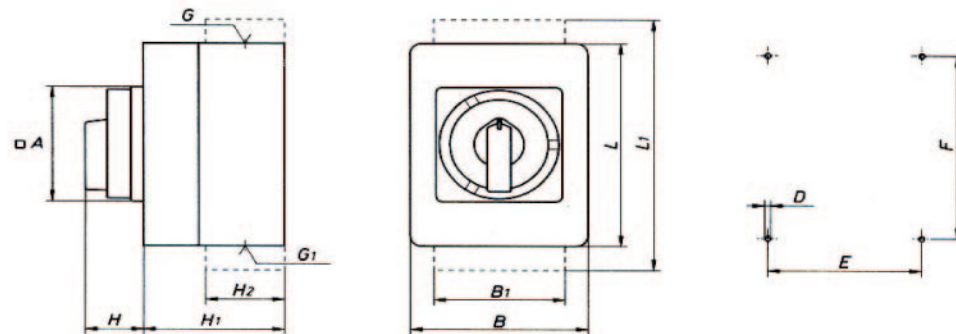
Type	BE		D		X _{max}	Element/		
	A	H	A	H		3	4	5
D1	48	27	65	34	4	-	-	-
D2 / D3	65	34	65	34	4	17	11	19

* SEE PAGE 177

DIMENSIONS.

For page 183

APPROX. (mm)



Size of enclosure	B	B ₁	L	L ₁	H ₁	H ₂	A	H	E	F	D	G	G ₁
T6/2	85	-	102	-	73	-	72	34	64/68	64/68	5,5	1 x M20	2 x M20
T8/2	91	-	121	-	75	-	72	34	76	106	4,5	1 x M20 - 1 x M25	1 x M20 - 1 x M25
T5/6	114	-	162	-	86	-	72	34	98	126	5,3	2 x M32	2 x M32

Size of enclosure	B	L	H ₁	A	H	E	F	D	G	G ₁
T24/2	82	82	67	65	34	68 ¹⁾	68 ¹⁾	4,5	2 x M20	2 x M20
T25/2	82	82	93	65	34	68 ¹⁾	68 ¹⁾	4,5	2 x M20	2 x M20
H362	163	213	127							
AM1206 RL	254	305	152							
AM2068 RL	406	508	203							