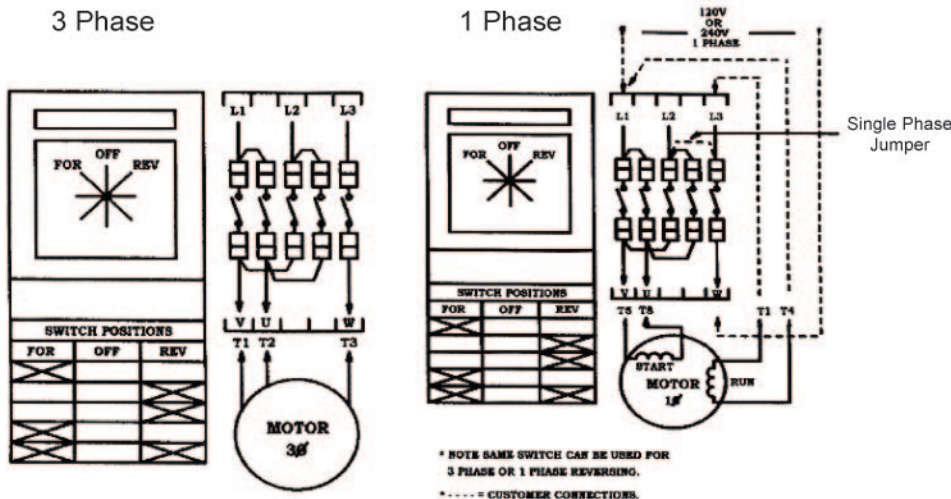


## REVERSING Spring Return to Center (FOR-OFF-REV) 3 Phase

Amps UL/CSA General Purpose	Max Horse Power					No. of Chambers	Catalog No.	-Suffix			
	1 phase ▲ 120 V 240V		3 phase ▲ 230V 480V 600V					Open -FS List	Enclosed -S4 List	-4X List	Enclosed -M65 List
<b>25</b>	1.5	2	5	10	10	3	E V2N- 3WR2 B1-	\$92	\$125(1)	\$152 (3)	\$176 (4)
<b>35</b>	2	3	7.5	15	20	3	E V3N- 3WR2 B3-	\$114	\$169 (2)	\$203 (3)	\$264 (4)
<b>50</b>	3	7.5	10	25	20	3	E VN32- 3WR2 B3-	\$220	\$331 (2)	\$383 (3)	\$401 (4)
<b>60</b>	5	10	20	40	30	3	E VN50- 3WR2 B4-	\$277	\$383 (2)	\$438 (3)	\$456 (5)

**SPRING RETURN** from left side only to center is available. In catalog number, replace "WR2" with "WR1"

### REVERSING WIRING DIAGRAM



Type "B"



Type "K1"

Type "L"

Note: K1, L Type for V2N & V3N only

#### Handle Options for Reversing Motor Switches

Type VN Operators have "B" handle design as standard. Reversing Units can be supplied with optional handle styles: "K1" Metal Ball Handle Design add \$4 list or "L" Plastic Handle Design add \$4 list LR-Red, LB-Black

### ENCLOSURES IP65

#### NEMA / IP65

IP65 is for Industrial and Outdoor Applications and is capable of hose test water tightness.

IP65 is used internationally for similar applications as NEMA 4, or 4X.

IP55 Protected against dust. (No harmful deposit) and against water sprayed from a hose from all directions.

1st Digit  
6



Complete protection against dust.

2nd Digit  
5



Protected against water sprayed from a hose from all directions.

(See IP standard for exact specifications)