

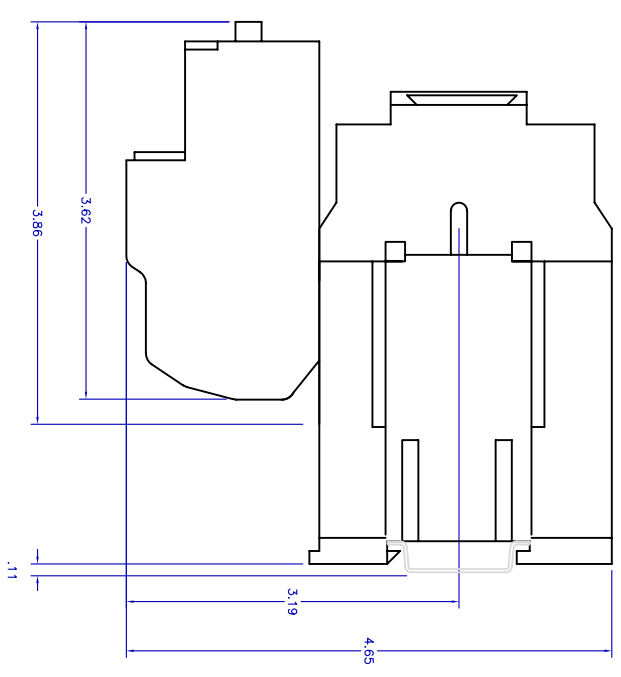
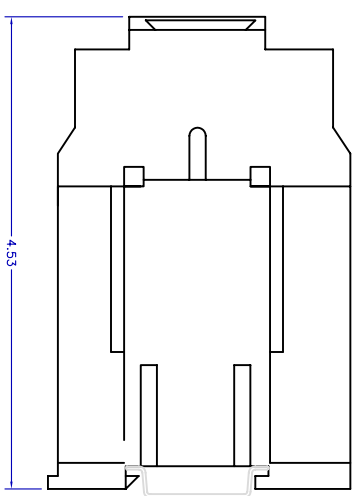
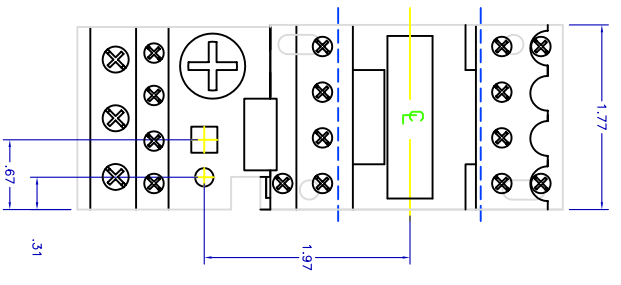
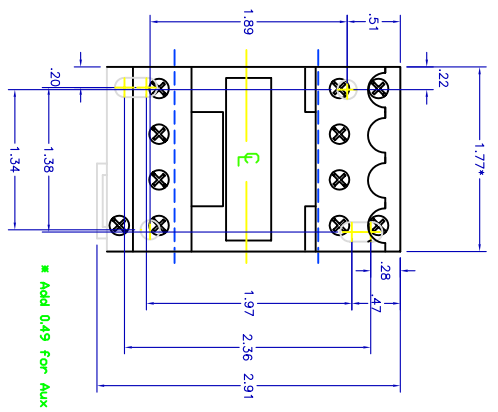
SINGLE PHASE			THREE PHASE		
ECC 12	115V	230V	200V	230V	480V
ECC 18	1 HP	2 HP	3 HP	3 HP	7.5 HP
	1 HP	3 HP	5 HP	5 HP	10 HP
					15 HP

MAXIMUM POWER RATINGS FOR 1PH AND 3PH MOTORS
50/60 HZ AC3 DUTY

AUXILIARY CONTACTS		
CODE (1)	NO	NC
10	1	-
01	-	1

COIL VOLTAGES FOR ECC 12 TO ECC 400

SUFFIX	VOLTAGE (VAC)	FREQUENCY (Hz)	DC VOLTAGE (VDC)
-A	120	50/60	
-C	208 - 230	60	-DCM = 12VDC
-E	480/400	60/50	-DCM = 24VDC
-F	600	60	-DCM = 24VDC
-D	380	50	-DCD = 48VDC
-G	24	50/60	-DCP = 120VDC
-H	277 - 280	60	-DCR = 220VDC
-B	220	50/60	



Note: Dimension in inches, (in.)
4 Pole available only on ECC 12

REV	DESCRIPTION	DATE	APP'D	DRAWN LR	CHECKED TG	APPROVED	DATE
							08/23/07

Description		Dimension Drawing TEC 12/18, ECC 12 /18 DC operated 3/4 pole
Electrical and Electronic Controls, Inc. 3881 Danbury Rd Danbury, CT 06810 USA (943)-278-5700 Fax: (943) 278-5444 Email: eec@eecontrols.com WWW.eecontrols.com		Drawing No. ECC 12/18-DC
REV.		0