

MAXIMUM POWER RATINGS FOR 1PH AND 3PH MOTORS
50/60 HZ AC3 DUTY

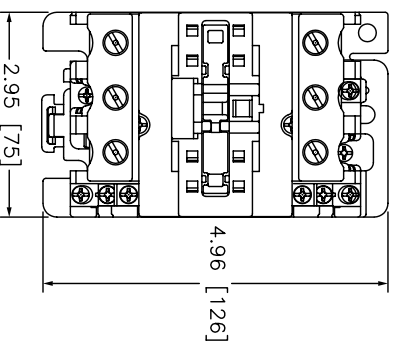
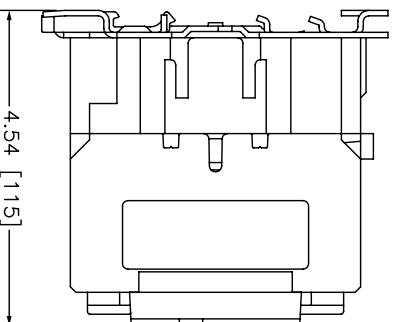
	SINGLE PHASE	THREE PHASE			
		230V	200V	230V	480V
ECC 40	115V	3 HP	10 HP	10 HP	30 HP
ECC 50	3 HP	7.5 HP	15 HP	15 HP	40 HP
ECC 65	5 HP	10 HP	20 HP	20 HP	50 HP

AUXILIARY CONTACTS, 1NO + 1NC STANDARD WITH UNIT

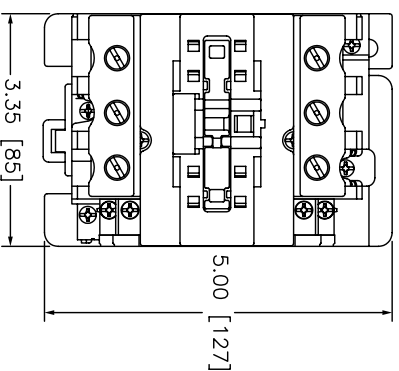
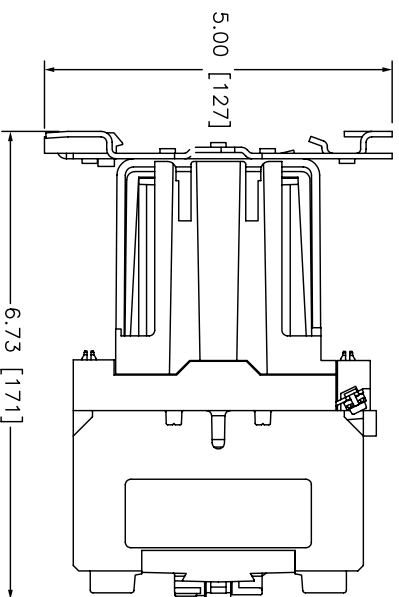
COIL VOLTAGES FOR ECC 12 TO ECC 400

SUFFIX	VOLTAGE <VAC>	FREQUENCY <HZ>	DC VOLTAGE <VDC>
-A	120	50/60	
-C	208 - 230	60	
-E	480/400	60/50	-DCM = 12VDC
-F	600	60	-DCN = 24VDC
-D	380	50	-DCD = 48VDC
-G	24	50/60	-DCP = 120VDC
-H	277 - 280	60	-DCR = 220VDC
-B	220	50/60	

CONTACTOR WITH AC COIL



CONTACTOR WITH DC COIL



REV	DESCRIPTION	DATE	APP'D	DRAWN	LR
				CHECKED	TG
				APPROVED	

Description

Dimension Drawing
ECC 40_50_65 AC and
DC operated 3/4 pole



Electrical and Electronic
Controls, Inc.
3881 Jankbury Rd
Boeblinger, NY, 10803, USA
(945)-278-5700
Fax: (945)-278-5444
Email: eec@eecontrols.com
www.eecontrols.com

Drawing No.

ECC 40_50_65

REV.

0

DATE
08/23/07