

MAXIMUM POWER RATINGS FOR 1PH AND 3PH MOTORS
50/60 HZ AC3 DUTY

	SINGLE PHASE		THREE PHASE			
	115V	230V	200V	230V	480V	600V
ECC 80	7.5 HP	15 HP	20 HP	25 HP	60 HP	60 HP
ECC 95			20 HP	25 HP	60 HP	60 HP

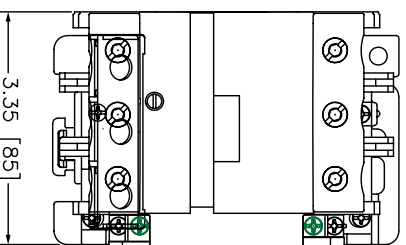
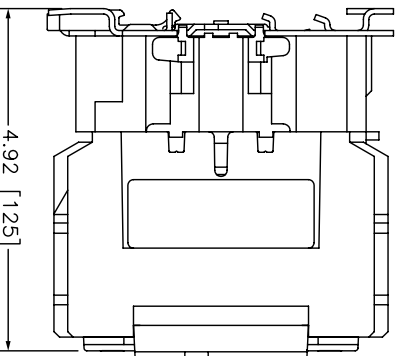
AUXILIARY CONTACTS, 1ND + 1NC STANDARD WITH UNIT

COIL VOLTAGES FOR ECC 12 TO ECC 400

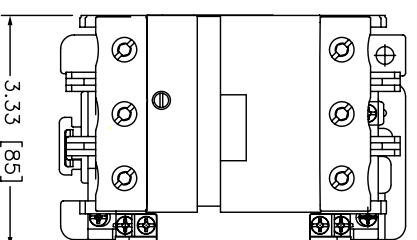
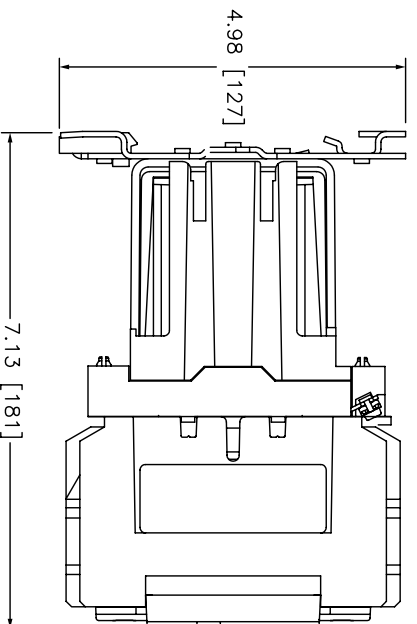
SUFFIX	VOLTAGE <VAC>	FREQUENCY <HZ>	DC VOLTAGE* <VDC>
-A	120	50/60	
-C	208 - 230	60	
-E	480/400	60/50	-DCM = 12VDC
-F	600	60	-DCN = 24VDC
-D	380	50	-DCD = 48VDC
-G	24	50/60	-DCP = 120VDC
-H	277 - 280	60	-DCR = 220VDC
-B	220	50/60	

* ECC95 NDT AVAILABLE DN DC COIL VERSION

CONTACTOR WITH AC COIL



CONTACTOR WITH DC COIL



REV	DESCRIPTION	DATE	APP'D	DRAWN LR	CHECKED TG	APPROVED	DATE
							08/23/07
Description					Dimension Drawing		
					ECC 80_95 AC and DC operated 3/4 pole		
						Electrical and Electronic Controls, Inc. 3881 Jankbury Rd Brea, CA 92615 USA (949) 278-5700 Fax (949) 278-5444 Email: eecontrols@eecontrols.com www.eecontrols.com	
Drawing No.				ECC 80_95		REV. 0	