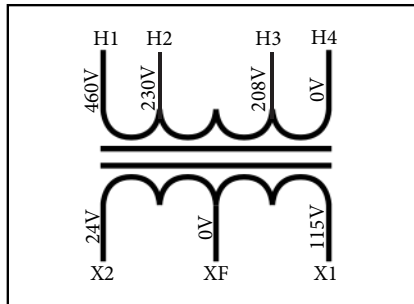
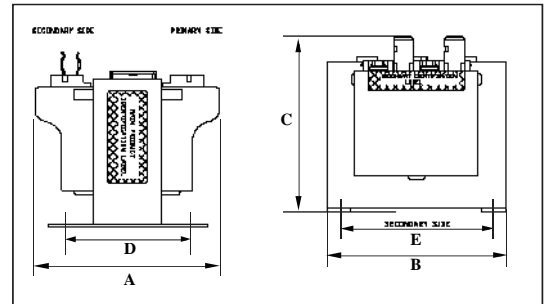


Built and designed to address today's highest reliability and performance demands. Micron's Industrial Control Circuit Transformers meet and exceed all NEMA, ANSI, UL and CSA standards. Powerful electronics built with heavy duty construction assure reliable operation of electromagnetic devices with trouble free performance. We carry the most versatile design transformers from Micron Transformers in stock. The part numbers below are designed as a triple tap in 208V/230V/460V and a 120V/24V secondary tap. All part numbers below include a primary and secondary fuse holder as standard. Fuses may also be ordered as a separate item below.


Connection Diagram

Dimensions


"C" dimension includes top mounted primary fuse block.

Control Transformers

Pri. Voltage	Sec. Voltage	VA	Catalog Part number	List Price	Contactors to use with	A* height	B* width	C* depth	D* mtg. holes	E*
208V / 230V 460V	115V 24V	50VA	B050MBT713RK	\$150	BA16 - LSN18 EEC12 - EEC32	3.50" (100mm)	3.00" (76mm)	3.93" (100mm)	2.17" (55mm)	2.50" (64mm)
208V / 230V 460V	115V 24V	100VA	B100MBT713RK	\$200	LSN22 - LSN55 EEC40 - EEC95	3.63" (92mm)	3.75" (95mm)	4.55" (119mm)	2.44" (62mm)	3.13" (79mm)
208V / 230V 460V	115V 24V	150VA	B150MBT713RK	\$270	LSN75, LSN90 EEC115, EEC150	4.00" (108mm)	3.75" (95mm)	4.55" (119mm)	3.19" (81mm)	3.13" (79mm)
208V / 230V 460V	115V 24V	200VA	B200MBT713RK	\$300	LSN132 - LSN160	4.38" (111mm)	4.50" (114mm)	5.18" (132mm)	2.95" (76mm)	3.75" (95mm)
208V / 230V 460V	115V 24V	250VA	B250MBT713RK	\$364	LSN220, LSN280 EEC185 - EEC500	4.38" (117mm)	4.50" (114mm)	5.18" (133mm)	3.75" (95mm)	3.75" (95mm)
208V / 230V 460V	115V 24V	300VA	B300MBT713RK	\$410	LSN375 EEC630	5.19" (132mm)	5.25" (133mm)	6.12" (155mm)	3.88" (99mm)	4.38" (111mm)
208V / 230V 460V	115V 24V	350VA	B350MBT713RK	\$440	EEC780	5.16" (131mm)	5.25" (133mm)	6.12" (155mm)	3.88" (99mm)	4.38" (111mm)

▲ Other type transformers are available (contact factory).

*All dimensions are approximate.

Fuses for above transformers

Primary Fuses

Amps	Part #	List Each
1/2 Amp	ATQR - 1/2A	\$22
1 Amp	ATQR - 1A	\$22
1.5 Amp	ATQR - 1.5A	\$22
2 Amp	ATQR - 2A	\$22

Primary Fuses are "Rejection Feature Type"

Secondary Fuses

Amps	Part #	List Each
1 Amp	ATQ - 1A	\$22
1.5 Amp	ATQ - 1.5A	\$22
2 Amp	ATQ - 2A	\$22
5 Amp	ATQ - 5A	\$22