



Simplex Pump Control with Circuit Breakers & Alarm



Provides Power to Operate a Single Pump Motor in Response to Two Switch Inputs, Circuit Breaker Protection and Optical & Audible High Level Alarm

Features:

- **Simple Operation and Connection**
- **120VAC Operating Voltage (Others Available)**
- **Manual Operation Selection of AUTO, HAND or OFF Modes**
- **Manual Alarm Selection of NORMAL, TEST and OFF Modes**
- **Built in Circuit Breakers**
- **Max Motor Load 1 hp@115V, 3 hp@230V**
- **NEMA1 or NEMA 4X Enclosures**
- **UL508**

Typical Applications:

Level Based Pump Control for

- *Drainage Pump Levels*
- *Septic Tank Systems*
- *Sump Basin Levels*
- *Storage Tank Systems*

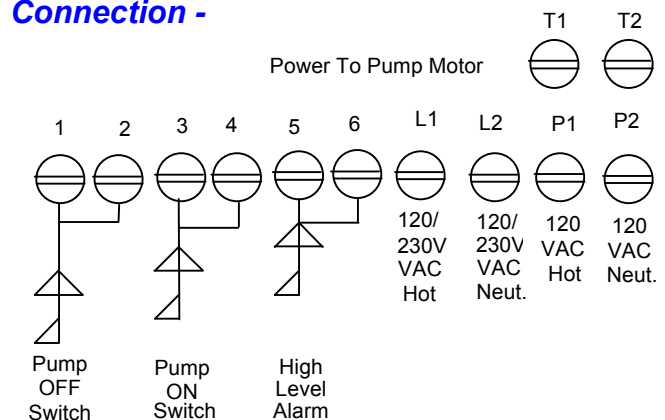
Ordering Information

Part Number	Enclosure Type	Enclosure Size	Operating Voltage	List Price
S10020N1	NEMA 1	10½" x 8½" x 4 ¼"	120 VAC	\$280.00
S10020	NEMA 4X	10" x 8" x 6"	120 VAC	\$400.00

Operation

Function – 120/230VAC is connected to L1, L2 & 120VAC to P1, and P2. When the circuit is closed between 1 and 2 (Pump Off) and 3 and 4 (Pump On), the yellow pilot light will light and power will be supplied to the pump motor through the contactor. The circuit is then latched and the connection between 3 and 4 (Pump On) will not effect the operation. When the connection between 1 and 2 (Pump Off) is open the power to the pump is turned off. When the circuit is closed between 5, and 6 (by a remote level switch or other sensing device) the red pilot light and horn will sound indicating a high level condition.

Connection -



* Wide angle float switches can be installed from 1 to 4

Custom Pump Panels are available upon request! Contact EE Controls with your requirements.