

EEC Series Heavy Duty Design CONTACTORS & MOTOR STARTERS

3 + 4 Pole
25A to 1600 Amps

Features & Benefits

- UL 508SB - 100kA RMS
100,000 RMS SYM Amps.
- High Temp - 40°F / +158 F
- Wiping Action Aux. Contacts
- 20% coil voltage (25A-100A)
- Energy Saving Design.
115 Amp + Sizes
- Solid Metal Bases from sizes
EEC40-EEC780
- Contact wear
External window indicator
- PushButton Cartridge Coil
Replacement System
(no tools, Quick change design)
(EEC115-EEC780)
- Low Coil Inrush

Conformity to Standards

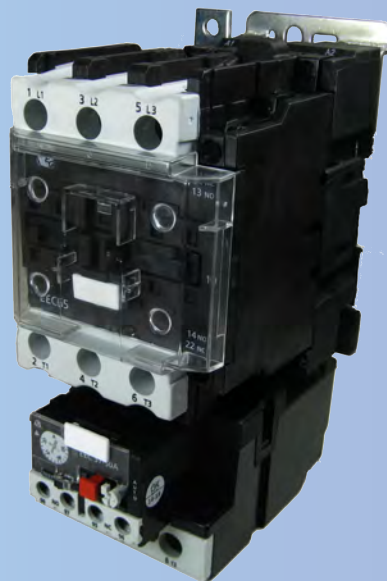


RoHS
Compliant

IEC 947-4 VDE0660
UL File # E245258, E303503
ISO 9001: 2008

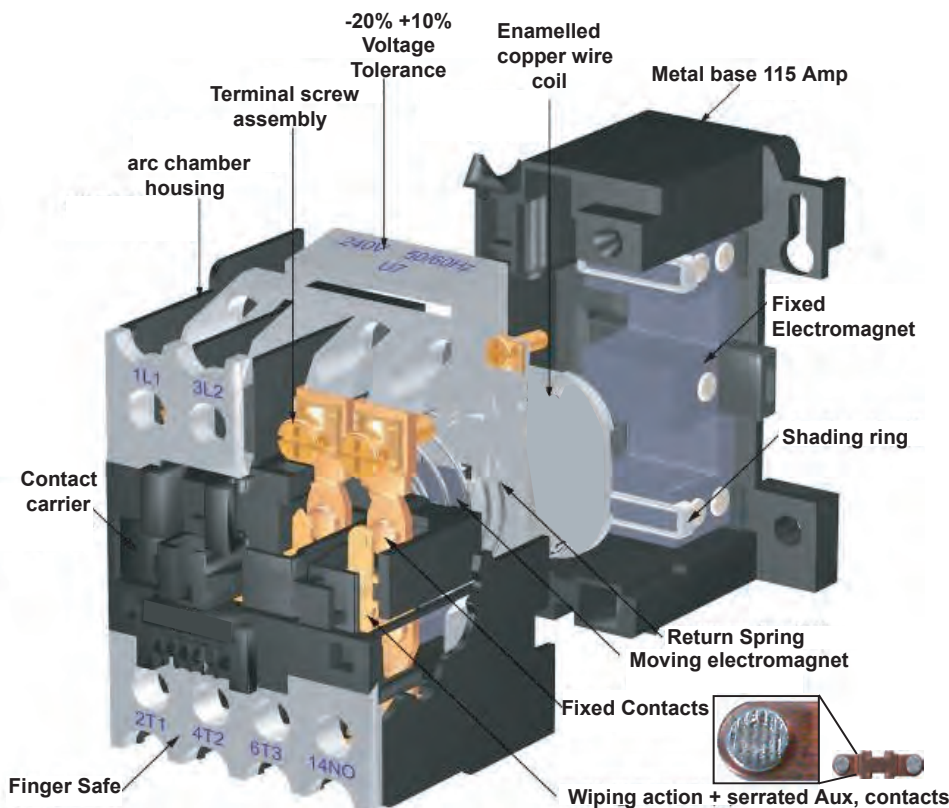


TEC 18



TEC 65

100kA RMS Symetrical Amps





Type STEC Single Phase Starter

	HP Ratings 1 Phase		OPEN	NEMA 1 General Purpose (metal)	NEMA4X Hose Dust Tight (non metal)	NEMA 4/12 (metal)	NEMA 3R Hose + Dust Tight Outdoor (metal)	
	Inductive AC-3	115V HP						230V HP
	12A	1	2	STEC 12 - * 0 - ⊕ \$83.00	STEC 12 - * 1 - ⊕ \$218.00	STEC 12 - * 4X - ⊕ \$298.00	STEC 12 - * 4 - ⊕ \$307.00	STEC 12 - * 3R - ⊕ \$305.00
	18A	1	3	STEC 18 - * 0 - ⊕ \$98.00	STEC 18 - * 1 - ⊕ \$260.00	STEC 18 - * 4X - ⊕ \$308.00	STEC 18 - * 4 - ⊕ \$340.00	STEC 18 - * 3R - ⊕ \$332.00
	25A	2	3	STEC 25 - * 0 - ⊕ \$124.00	STEC 25 - * 1 - ⊕ \$298.00	STEC 25 - * 4X - ⊕ \$357.00	STEC 25 - * 4 - ⊕ \$370.00	STEC 25 - * 3R - ⊕ \$362.00
	32A	2	5	STEC 32 - * 0 - ⊕ \$146.00	STEC 32 - * 1 - ⊕ \$317.00	STEC 32 - * 4X - ⊕ \$397.00	STEC 32 - * 4 - ⊕ \$397.00	STEC 32 - * 3R - ⊕ \$387.00
	40A	3	5	STEC 40 - * 0 - ⊕ \$173.00	STEC 40 - * 1 - ⊕ \$409.00	STEC 40 - * 4X - ⊕ \$484.00	STEC 40 - * 4 - ⊕ \$459.00	STEC 40 - * 3R - ⊕ \$434.00
	50A	3	7 1/2	STEC 50 - * 0 - ⊕ \$228.00	STEC 50 - * 1 - ⊕ \$538.00	STEC 50 - * 4X - ⊕ \$546.00	STEC 50 - * 4 - ⊕ \$570.00	STEC 50 - * 3R - ⊕ \$558.00
	65A	5	10	STEC 65 - * 0 - ⊕ \$302.00	STEC 65 - * 1 - ⊕ \$605.00	STEC 65 - * 4X - ⊕ \$612.00	STEC 65 - * 4 - ⊕ \$856.00	STEC 65 - * 3R - ⊕ \$756.00
	80A	7 1/2	15	STEC 80 - * 0 - ⊕ \$369.00	STEC 80 - * 1 - ⊕ \$657.00	STEC 80 - * 4X - ⊕ \$670.00	STEC 80 - * 4 - ⊕ \$918.00	STEC 80 - * 3R - ⊕ \$843.00

***Coil Voltage Suffix for TEC12-80**

* - Add Suffix	AC Voltage	* - DC Voltage
-A =	120V 50/60Hz	See \$ adder
-C =	208V up to 230V 60Hz	-DCM = 12VDC
-E =	480V 60Hz, 400V 50Hz	-DCN = 24VDC
-F =	600V 60Hz	-DCO = 48VDC
-D =	380V 50Hz	-DCP = 125VDC
-G =	24V 50/60Hz	-DCR = 220VDC
-H =	277V(280) 60Hz	
-B =	220V 50/60Hz	

Contact Factory for additional coil voltages not listed.
208V "c" Coil -5% Voltage Tolerance.

**DC Coil Price Adder
Size + List Price**

EEC 12-32 + \$38
EEC 40-80 + \$85

Part # Example:

STEC 12 - A1-6A
EEC12 Contactor
A=120VAC Coil
1=NEMA 1 Enclosure
6A=4-6 Amp Overload
Range

⊕ Add to Part #	Overload Amp Range	⊕ Add to Part #	Overload Amp Range
0.16A	0.1-0.16A	13A	9-13A
0.25A	0.16-0.25A	18A	12-18A
0.4A	0.25-0.4A	25A	17-25A
0.63	0.4-0.63	32A	23-32A
1A	0.63-1A	36A	28-36A
1.6A	1-1.6A	40A	30-40A
2.5A	1.6-2.5A	50A	37-50A
4A	2.5-4A	65A	48-65A
6A	4-6A	70A	55-70A
8A	5.5-8A	80A	63-80A
10A	7-10A	93A	80-93A



Type TEC 3 Phase Motor Starters



TEC25

UL LISTED Inductive AC-3	Horse Power Ratings UL 3 Phase Motor		OPEN	NEMA 1 General Purpose (metal)	NEMA4X Hose Dust Tight (non metal)	NEMA 4/12 (metal)	NEMA 3R Hose + Dust Tight Outdoor (metal)	Comparable NEMA HP
	Volts	HP						
12A	200V 230V 480V 600V	3 3 7 1/2 10 10 HP	TEC 12 - * 0 - ⊕ \$83.00	TEC 12 - * 1 - ⊕ \$218.00	TEC 12 - * 4X - ⊕ \$298.00	TEC 12 - * 4 - ⊕ \$307.00	TEC 12 - * 3R - ⊕ \$305.00	200V 1.5HP 230V 1.5HP 480V 2 HP 600V 2 HP NEMA 00
18A	200V 230V 480V 600V	5 5 10 15 15 HP	TEC 18 - * 0 - ⊕ \$98.00	TEC 18 - * 1 - ⊕ \$260.00	TEC 18 - * 4X - ⊕ \$308.00	TEC 18 - * 4 - ⊕ \$340.00	TEC 18 - * 3R - ⊕ \$332.00	200V 3 HP 230V 3 HP 480V 5 HP 600V 5 HP NEMA 0
25A	200V 230V 480V 600V	5 7 1/2 15 20 20 HP	TEC 25 - * 0 - ⊕ \$124.00	TEC 25 - * 1 - ⊕ \$298.00	TEC 25 - * 4X - ⊕ \$357.00	TEC 25 - * 4 - ⊕ \$370.00	TEC 25 - * 3R - ⊕ \$362.00	NEMA 0+
32A	200V 230V 480V 600V	10 10 20 25 25 HP	TEC 32 - * 0 - ⊕ \$146.00	TEC 32 - * 1 - ⊕ \$317.00	TEC 32 - * 4X - ⊕ \$397.00	TEC 32 - * 4 - ⊕ \$397.00	TEC 32 - * 3R - ⊕ \$387.00	200V 7.5 HP 230V 7.5 HP 480V 10 HP 600V 10 HP NEMA 1
40A	200V 230V 480V 600V	10 10 30 30 30 HP	TEC 40 - * 0 - ⊕ \$173.00	TEC 40 - * 1 - ⊕ \$409.00	TEC 40 - * 4X - ⊕ \$484.00	TEC 40 - * 4 - ⊕ \$459.00	TEC 40 - * 3R - ⊕ \$434.00	NEMA 1+
50A	200V 230V 480V 600V	15 15 40 40 40 HP	TEC 50 - * 0 - ⊕ \$228.00	TEC 50 - * 1 - ⊕ \$538.00	TEC 50 - * 4X - ⊕ \$546.00	TEC 50 - * 4 - ⊕ \$570.00	TEC 50 - * 3R - ⊕ \$558.00	200V 10 HP 230V 15 HP 480V 25 HP 600V 25 HP NEMA 2

*** Coil Voltage Suffix**

-* AC Voltages (All)	
-A = 120V (50/60Hz)	
-C = 208V/230V (60Hz)	
-E = 480V (60Hz)	EEC330 Max
-F = 600V (60Hz)	EEC225 Max
-D = 380V (50Hz)	
-G = 24V (50/60Hz)	EEC330 Max
-H = 277V (60Hz)	
-B = 220V (50/60Hz)	

-* DC Voltages	
TEC12-TEC80	TEC115-TEC400
- DCM = 12VDC	
- DCN = 24VDC	- N = 24VDC
- DCO = 48VDC	- O = 48VDC
- DCP = 125VDC	- P = 125VDC
- DCR = 220VDC	- R = 220VDC
See DC Price Adder Below	

⊕ Add to Part #	Overload Amp Range	⊕ Add to Part #	Overload Amp Range
0.16A	0.1-0.16A	32A	23-32A
0.25A	0.16-0.25A	36A	28-36A
0.4A	0.25-0.4A	40A	30-40A
0.63	0.4-0.63	50A	37-50A
1A	0.63-1A	65A	48-65A
1.6A	1-1.6A	70A	55-70A
2.5A	1.6-2.5A	80A	63-80A
4A	2.5-4A	93A	80-93A
6A	4-6A	105A	65 - 105A
8A	5.5-8A	125A	80 - 125A
10A	7-10A	160A	100 - 160A
13A	9-13A	200A	125 - 200A
18A	12-18A	250A	160 - 250A
25A	17-25A	400A	250 - 400A

Modifications & Accessories, see pages 30,88

DC Coil Price Adder Size + List Price	
TEC 12-32	\$38
TEC 40-80	\$85
TEC 115 + No Adder	



Type TEC 3 Phase Motor Starters

 Inductive AC-3	Horse Power Ratings UL 3 Phase Motor		OPEN	NEMA 1 General Purpose (metal)	NEMA4X Hose Dust Tight (non metal)	NEMA 4/12 (metal)	NEMA 3R Hose + Dust Tight Outdoor (metal)	NEMA HP
	Volts	HP						
65A	200V 230V 480V 600V	20 20 50 50 HP	TEC 65 - * 0 - ⊕ \$302.00	TEC 65 - * 1 - ⊕ \$605.00	TEC 65 - * 4X - ⊕ \$612.00	TEC 65 - * 4 - ⊕ \$856.00	TEC 65 - * 3R - ⊕ \$756.00	Size 2+
80A	200V 230V 480V 600V	25 25 60 60 HP	TEC 80 - * 0 - ⊕ \$369.00	TEC 80 - * 1 - ⊕ \$657.00	TEC 80 - * 4X - ⊕ \$670.00	TEC 80 - * 4 - ⊕ \$918.00	TEC 80 - * 3R - ⊕ \$843.00	Size 2+
95A	200V 230V 480V 600V	25 25 60 60 HP	TEC 95 - * 0 - ⊕ \$399.00	TEC 95 - * 1 - ⊕ \$694.00	TEC 95 - * 4X - ⊕ \$707.00	TEC 95 - * 4 - ⊕ \$967.00	TEC 95 - * 3R - ⊕ \$856.00	Size 2+
115A	200V 230V 480V 600V	30 40 75 100 HP	TEC 115 - * 0 - ⊕ \$579.00	TEC 115 - * 1 - ⊕ \$1,210	TEC 115 - * 4X - ⊕ \$2,000	TEC 115 - * 4 - ⊕ \$1,495	TEC 115 - * 3R - ⊕ \$1,300	200V 25 HP 230V 30 HP 480V 50 HP 600V 50 HP NEMA 3
150A	200V 230V 480V 600V	40 50 100 125 HP	TEC 150 - * 0 - ⊕ \$693.00	TEC 150 - * 1 - ⊕ \$1,285	TEC 150 - * 4X - ⊕ \$2,075	TEC 150 - * 4 - ⊕ \$1,570	TEC 150 - * 3R - ⊕ \$1,350	Size 3+
185A	200V 230V 480V 600V	50 60 125 150 HP	TEC 185 - * 0 - ⊕ \$880.00	TEC 185 - * 1 - ⊕ \$1,735	TEC 185 - * 4X - ⊕ \$2,420	TEC 185 - * 4 - ⊕ \$2,230	TEC 185 - * 3R - ⊕ \$2,230	200V 40 HP 230V 50 HP 480V 100 HP 600V 100 HP NEMA 4
265A	200V 230V 480V 600V	60 75 150 200 HP	TEC 265 - * 0 - ⊕ \$1,365	TEC 265 - * 1 - ⊕ \$2,548	TEC 265 - * 4X - ⊕ \$2,925	TEC 265 - * 4 - ⊕ \$2,690	TEC 265 - * 3R - ⊕ \$2,600	Size 4+
330A	200V 230V 480V 600V	75 100 200 250 HP	TEC 330 - * 0 - ⊕ \$1,615	TEC 330 - * 1 - ⊕ \$2,900	TEC 330 - * 4X - ⊕ \$5,015	TEC 330 - * 4 - ⊕ \$3,030	TEC 330 - * 3R - ⊕ \$2,900	Size 4+
400A	200V 230V 480V 600V	100 125 250 300 HP	TEC 400 - * 0 - ⊕ \$1,798	TEC 400 - * 1 - ⊕ \$3,100	TEC 400 - * 4X - ⊕ \$5,225	TEC 400 - * 4 - ⊕ \$3,470	TEC 400 - * 3R - ⊕ \$3,595	200V 75 HP 230V 100 HP 480V 200 HP 600V 200 HP NEMA 5

Includes Lugs (Line & Load)

Larger Sizes Available - Contact Factory

← See Previous Page For Coil Voltage * and Overload ⊕ Suffix



ADDITIONS AND SPECIAL FEATURES MAGNETIC STARTERS AND CONTACTORS

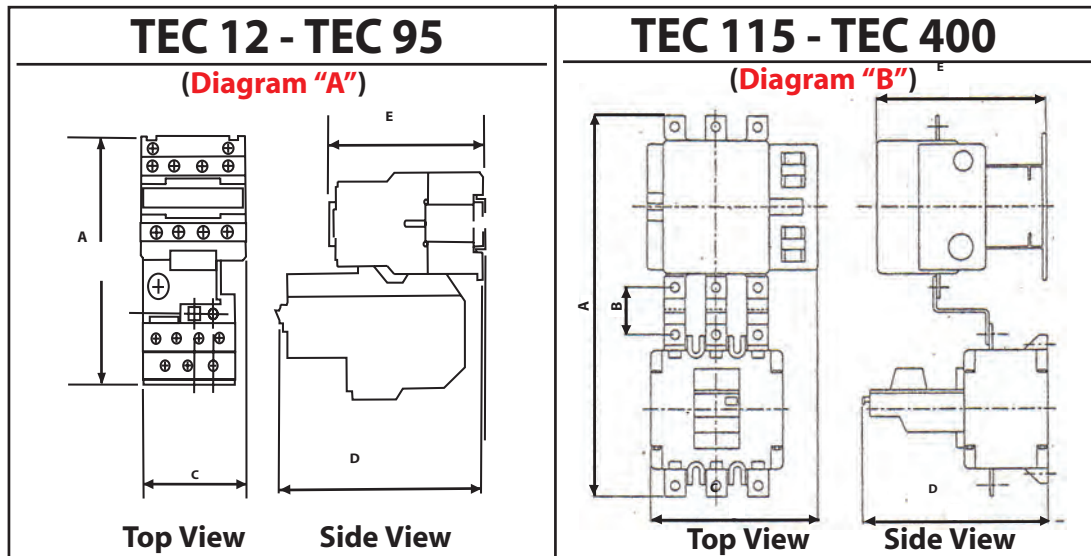
Factory Installed Suffixes Lists

Additions or Special Features	Enclosure Type	Catalog Suffix	EEC	EEC	EEC	EEC
			12 -- 32	40 -- 95	115 -- 225	265 -- 630
			TEC	TEC	TEC	TEC
			12 -- 32	40 -- 95	115 -- 225	265 -- 630
"Start-Stop" push button.....(Twin Type)..... 1		KSS-2	\$50	\$50	\$50	\$50
"Start-Stop" push button.....(Twin Type)..... 4,12,3R,4X		KSS-3	120	120	120	120
"Hand-Off-Auto" selector switch..... 1		KSL-1	50	50	50	50
"Hand-Off-Auto" selector switch..... 4,12,3R,4X		KSL-3	120	120	120	120
"Start-Stop" push button and "Hand-Off-Auto" selector switch..... Any		SS-HOA	240	240	240	240
Pilot Light.....Any		PL	75	75	75	75
E-Stop.....Any		ESTOP	90	90	90	90
"On-Off" selector switch..... 1		KSN-1	50	50	50	50
"On-Off" selector switch..... 4,12,3R,4X		KSN-3	120	120	120	120
"Forward-Off-Reverse" selector switch.....Any		FOR	120	120	120	120
"High-Off-Low" selector switch.....Any		HOL	120	120	120	120
"Forward-Reverse-Stop" push button..... Any		FRS	200	200	200	200
"Up-Down-Stop" push button..... Any		UDS	200	200	200	200
"Fast-Slow-Stop" push button..... Any		FSS	200	200	200	200
Control circuit transformer: With fused primary and secondary 50/60 Hz..... Any		FT ___ V	\$250	\$350	\$425	\$550

Note: Add Primary Voltage after the "FT".

Enclosure Type	Part Numbers	Approximate Overall Dimension H x W x D	List \$
NEMA 1 METAL	M01-070405H	7" x 4" x 5"	\$105
	M01-100806	10" x 8" x 6"	\$110
	M01-121006	12" x 10" x 6"	\$130
	M01-161208	16" x 12" x 8"	\$315
NEMA 3R METAL	M3R-100806	10" x 8" x 6"	\$120
	M3R-121006	12" x 10" x 6"	\$145
	M3R-161208	16" x 12" x 8"	\$325
	M3R-201608	20" x 16" x 8"	\$355
NEMA 4/12 METAL	M4/12-100806	10" x 8" x 6"	\$135
	M4/12-121006	12" x 10" x 6"	\$175
	M4/12-161208	16" x 12" x 8"	\$350
	M4/12-201608	20" x 16" x 8"	\$375
NEMA 4X FIBERGLASS	S4X-AM864	8" x 6" x 6"	\$155
	S4X-AM1008	10" x 8" x 8"	\$185
	S4X-AM1210	12" x 10" x 8"	\$230
	S4X-AM1614	16" x 14" x 10"	\$410
	S4X-AM2016	20" x 16" x 10"	\$525

TEC Starter Dimensions



Dimension Details For TEC12-TEC95 / Direct Mount

A- Diagram mm (inches)	TEC 12	TEC 18	TEC 25	TEC 32	TEC 40-50-65	TEC 80	TEC 95
A	118 (4.7")	118 (4.7")	129 (5.08")	140 (5.51")	175 (6.89")	179 (7.05")	179 (7.05")
B	NA	NA	NA	NA	NA	NA	NA
C	45 (1.77")	45 (1.77")	56 (2.2")	56 (2.2")	75 (2.95")	82 (3.23")	82 (3.23")
D	98 (3.86")	98 (3.86")	110 (4.33")	100 (3.94")	125 (4.92")	128 (5.04")	128 (5.04")
E (AC)	80 (3.15")	85 (3.35")	95 (3.74")	100 (3.94")	115 (4.53")	120 (4.72")	120 (4.72")
E (DC)	115 (4.5")	120 (4.72")	130 (5.1")	135 (5.31")	171 (6.7")	181 (7.13")	NO DC

Dimension Details For TEC115-TEC400 / With Overload Range of (105A - 200AMP)

B- Diagram mm (inches)	TEC 115	TEC 150	TEC 185	TEC 225	TEC 265	TEC 330	TEC 400
A	345 (13.6")	351 (13.8")	354 (13.9")	375 (14.8")	381 (15.0")	384 (15.1")	384 (15.1")
B	40 (1.57")	40 (1.57")	40 (1.57")	40 (1.57")	40 (1.57")	40 (1.57")	40 (1.57")
C	160 (6.3")	164 (6.5")	169 (6.7")	169 (6.7")	196 (7.7")	204 (8.0")	207 (8.2")
D	180 (7.1")	180 (7.1")	180 (7.1")	180 (7.1")	180 (7.1")	180 (7.1")	180 (7.1")
E (AC/DC)	165 (6.5")	165 (6.5")	176 (6.9")	176 (6.9")	207 (8.2")	213 (8.4")	213 (8.4")

Dimension Details For TEC115-TEC400 / With Overload Range of (250A - 400AMP)

B- Diagram mm (inches)	TEC 185	TEC 225	TEC 265	TEC 330	TEC 400
A	374 (15.5")	394 (15.51")	400 (15.8")	403 (15.9")	403 (15.9")
B	40 (1.57")	40 (1.57")	40 (1.57")	40 (1.57")	40 (1.57")
C	185 (7.3")	185 (7.3")	200 (7.9")	208 (8.2")	208 (8.2")
D	219 (8.6")	219 (8.6")	219 (8.6")	219 (8.6")	219 (8.6")
E (AC/DC)	176 (6.9")	176 (6.9")	207 (8.2")	213 (8.4")	213 (8.4")

*NA = Not Applicable (Direct Mount)

*All Dimensions are Approximate MM (Inches)

*Above Dimensions **Do Not** Include Lugs Dimensions for sizes TEC 115 - TEC 400.

Add Approx 1" to top & Bottom Dimensions for this.

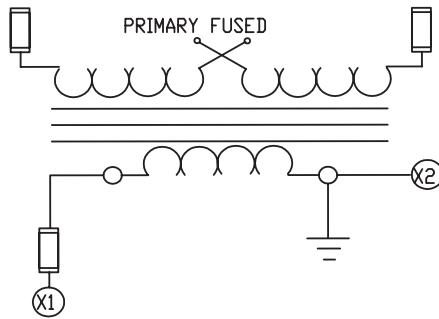
Wiring Diagram

OPTIONS

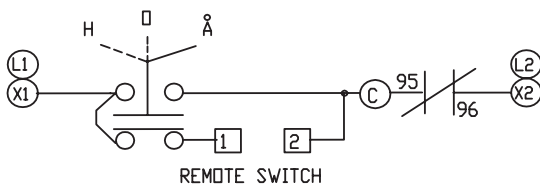
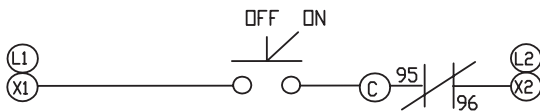
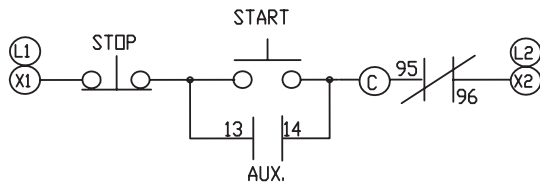
PILOT LIGHTS



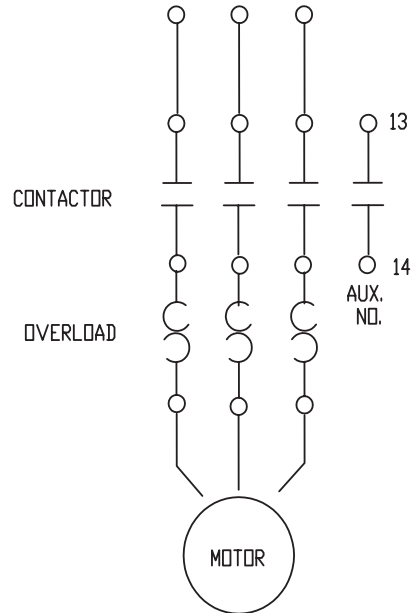
TRANSFORMER



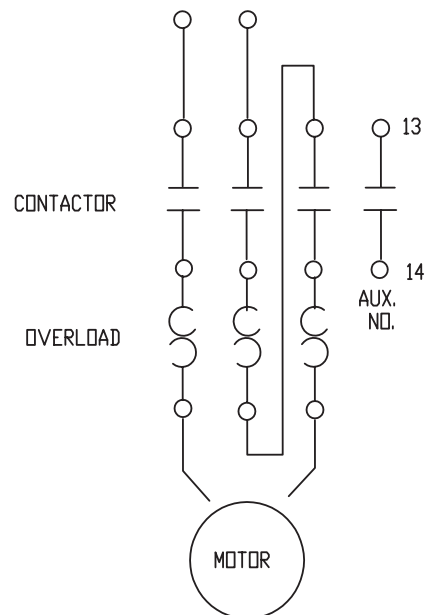
CONTROL CIRCUITS



THREE PHASE



SINGLE PHASE



On or OFF Delay Timers (fits all sizes)

Delay Type	Seconds Time Range	Part #	List Price
ON	0.1 - 30	TIMERON1-30S	\$ 62.00
ON	10 - 180	TIMERON10-180S	\$ 62.00
OFF	0.1 - 30	TIMEROFF1-30S	\$ 62.00
OFF	10 - 180	TIMEROFF10-180S	\$ 62.00

⊕ Timer adds 2.28" in depth to EEC12 - EEC95



TIMERON1-30S

* **On delay** = The timing sequence initiates when the contactors coil is energized.

* **Off delay** = Timing begins when the contactor is turned off (coil is de-energized).

Mechanical Latch (fits EEC12 - EEC32)

Part #	List Price
EECLATCH - *	\$ 60.00



* Coil Voltage Suffix

- 24VDC
- 24VAC
- 120VAC
- 230VAC

Mechanical Interlock Kits

To Interlock Contactors	Part #	List Price
EEC 12, 18, 25, 32	EEC 12-32	\$ 20.00
EEC 40, 50, 65	EEC 40-65	\$ 35.00
EEC 80, EEC 95	EEC 80-95	\$ 40.00
EEC 115, EEC 150	EEC 115-150	\$ 60.00
EEC 185, EEC 225	EEC 185-225	\$ 60.00
EEC 265, 330, 400, 500	EEC265-500	\$ 105.00



EEC12 - 32
Mechanical Interlock

Auxiliary Contacts

Top Mount Auxiliaries

Fits EEC12 - EEC780

Contacts		Part #	List Price
N.O.	N.C.		
1	1	AUX 11	\$ 14.00
2	0	AUX 20	\$ 14.00
0	2	AUX 02	\$ 14.00
4	0	AUX 40	\$ 21.00
0	4	AUX 04	\$ 21.00
2	2	AUX 22	\$ 21.00
3	1	AUX 31	\$ 21.00
1	3	AUX 13	\$ 21.00



AUX 40



AUX 10

Fits EEC40 - EEC95 (Only)

1	0	AUX 10	\$ 12.00
0	1	AUX 01	\$ 12.00

⊕ Each Top Aux adds 1.4" to depth.

Side Mounted Auxiliaries

Fits EEC12 - EEC95

1	1	AUXSIDE 11	\$ 14.00
2	0	AUXSIDE 20	\$ 14.00

⊕ Each Side Aux adds 1/2" to width.



AUXSIDE 11

Max Number of Allowable Aux. Blocks

Contactors Size	Top Mount Multiple Aux. Block	Top Mount Single Aux. Block	Side Mount Aux. Block	Max Aux. Including Built in.
EEC 12-32	1	N.A.	2	9
EEC 40-95	1	2	2	10
EEC 115-780	2	N.A.	N.A.	8

Technical Information

Rated Operating Voltage: 660V

Rated Thermal Current: 10A

Minimum Switching Capacity: 17V 5mA

Mechanical Life: 30 million cycles

Lug Kits

Contactor	Part # (6 Lugs)	Wire Size	List Price
EEC115	EECLK115	14 to 2/0	\$36
EEC150	EECLK150	14 to 2/0	\$47
EEC185	EECLK185	6 to 250 MCM	\$47
EEC225	EECLK225	6 to 350 MCM	\$64
EEC265	EECLK265	6 to 350 MCM	\$64
EEC330	EECLK330	4 to 500 MCM	\$205
EEC400	EECLK400	2 to 500 MCM X 2	\$217

Contactor Kits include 6 lugs with hardware.
Lugs included with assembled starters.

Replacement Contact Kits



Kits Include:
 6 Stationary
 3 Moveable
 Contacts

Contactors	Part #	List Price
EEC115	EEC115CONTACTS	\$ 230.00
EEC 150	EEC150CONTACTS	\$ 242.00
EEC 185	EEC185CONTACTS	\$ 304.00
EEC 225	EEC225CONTACTS	\$ 311.00
EEC 330	EEC330CONTACTS	\$ 670.00
EEC 400	EEC400CONTACTS	\$ 744.00

(Contact Factory for larger sizes)

Replacement Coils

AC Coils

Contactors	Part #	List Price
EEC12 - EEC18	COIL18- *	\$ 24.00
EEC25 - EEC32	COIL32- *	\$ 31.00
EEC40 - EEC65	COIL65- *	\$ 52.00
EEC80 - EEC95	COIL95- *	\$ 55.00
EEC115 - EEC150	COIL150- *	\$ 80.00
EEC185 - EEC225	COIL225- *	\$ 105.00
EEC265 - EEC330	COIL330- *	\$ 116.00
EEC400	COIL400- *	\$ 240.00
EEC500	COIL500- *	\$ 250.00
EEC630	COIL630- *	\$ 270.00

* Coil Voltage Suffix

24V	(EEC330 Max)
120V	
208V-230V	
280V	
380V	
480V	(EEC330 Max)
600V	(EEC 225 Max)

DC Coils

Contactors	Part #	List Price
EEC12 - EEC18	COIL18- * DC	\$ 41.00
EEC25 - EEC32	COIL32- * DC	\$ 49.00
EEC40 - EEC65	COIL65- * DC	\$ 64.00
EEC80	COIL80- * DC	\$ 105.00
EEC115 - EEC150	COIL150- * DC	\$ 148.00
EEC185 - EEC225	COIL225- * DC	\$ 155.00
EEC265 - EEC330	COIL330- * DC	\$ 165.00
EEC400	COIL400- * DC	\$ 240.00
EEC500	COIL500- * DC	\$ 250.00
EEC630	COIL630- * DC	\$ 270.00

* Coil Voltage Suffix

12V	(EEC80 Max)
24V	(EEC500 Max)
48V	
125V	
220V	

